

pranav

Expanding Possibilities

Stall No : 18

ONLINE BELT SCALE (PRODUCTION MONITORING)

In the realm of industrial applications requiring the continuous transfer of bulk material, conveyor belts emerge as cost-effective and efficient conduits. To seamlessly measure the flow and total weight of material during this transfer without disruption, a conveyor weighing system, or belt weigher, is integrated into the conveyor system. Comprising a weighing frame, load cells, speed sensors, and a weighing indicator, this system ensures precision.

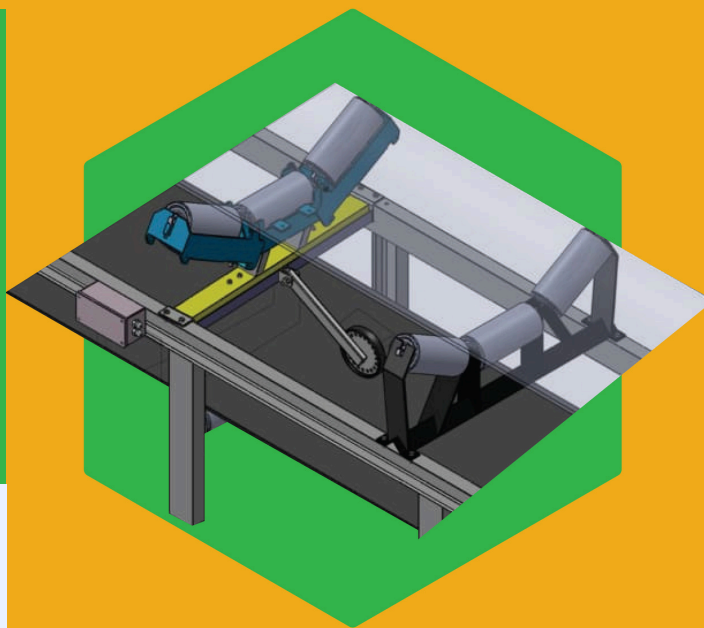
The conveyor weighing system finds versatile applications across industries such as mining, cement, stone crushers, foundries, fertilizers, food processing, waste management, and more

Measuring stones, Msand, and Psand in TPH, this system provides a comprehensive solution for all your conveyor weighing needs.

Exhibition Discount with IOT

for
Quarry
&
Crusher Owners

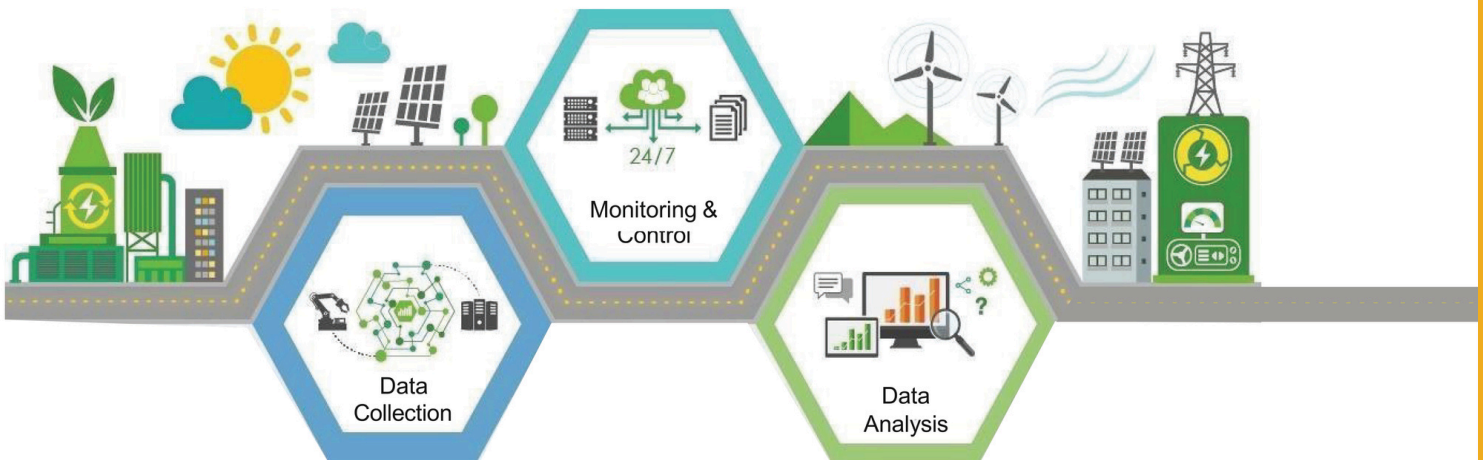
Pay back period
3 months



Belt Weigher Indicator Features

- Calculation of speed using pulse input & rotary disc arrangement
- Weight calibration for various belt speed
- Calculation & display for speed, load, rate, totalizer
- Speed of the conveyor belt (meter/minute)
- Load on the conveyor belt (kg/meter)
- Flow rate of material being transferred (tons/hour)
- Totalizer to show the weight transferred over a set time (tons)
- Optional analog output proportional to flow rate (4-20mA)
- IoT Based Systems
- Supports both Android and IOS applications

Pranav IoT is a powerful cloud-based energy management software solution designed to make your operations simpler, more effective and more convenient, enhancing reliability of your processes and assets. This enables a harmonious network ecosystem of sensors, gateways and system integrators that enables rapid deployment of real time applications. Download our free Energy management app, choose from a variety of subscriptions to meet your needs, or connect with our local experts to implement your solution.



OUR CLIENTELE



Propel



Hail Stone Innovations



Terex



Pralcka



K2 Cranes & Componenets



LMW



Tussor machine tools



LECS



LPT



TECHOMAL
INFRA TECH

CONTACT US

9585840822,9894741655

pranavsystems2015@gmail.com

www.pranavsystems.co.in



INTERNATIONAL MINING EXPO & CONCLAVE 2024



29th & 30th September | Sunday - Monday
Chennai Trade Centre, Chennai Tamilnadu

CONTACT US



website : <https://imecindia.com/>

P. Vijay

Marketing Team

Mobile : +91 91761 83236

Email : operationsiems1@gmail.com

J. Ram Kumar

Marketing Team

Mobile : +91 70101 15796

Email : finance@minesservices.com